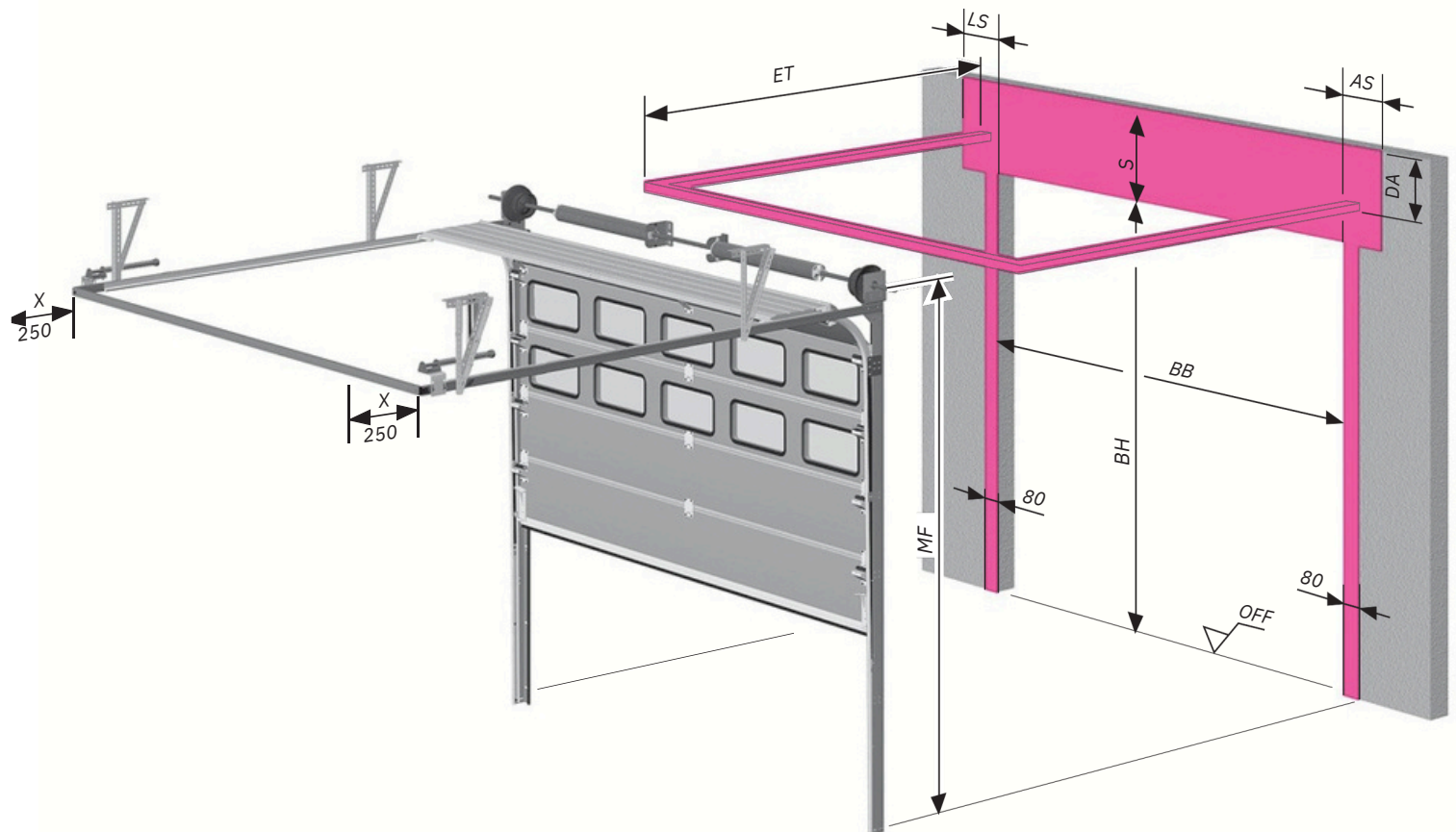


Espacio Requerido STANDARD LIFT

Espacio lateral requerido	LS	AS
Motor lateral industrial	110	300
Motor de Tiro	110	110
Todas las medidas en mm		

Profundidad de la instalación	ET
	$BH + 575 + X$

Dintel Requerido	DA	S	MF
$BH \leq 3600$	260	400	$BH + 310$
$BH \geq 3601 \leq 5500$	310	450	$BH + 350$
$BH \geq 5501 \leq 6000$	360	500	$BH + 375$
BH above 6000 on request			



- | | | | |
|-----|-------------------------|-----|--------------------------|
| AS: | Sideroom on drive side | LS: | Sideroom on bearing side |
| BB: | Order dimensions width | MF: | Middle of spring shaft |
| BH: | Order dimensions height | S: | Headroom |
| DA: | Ceiling distance | X: | Spring buffer projection |
| ET: | Installation depth | | |

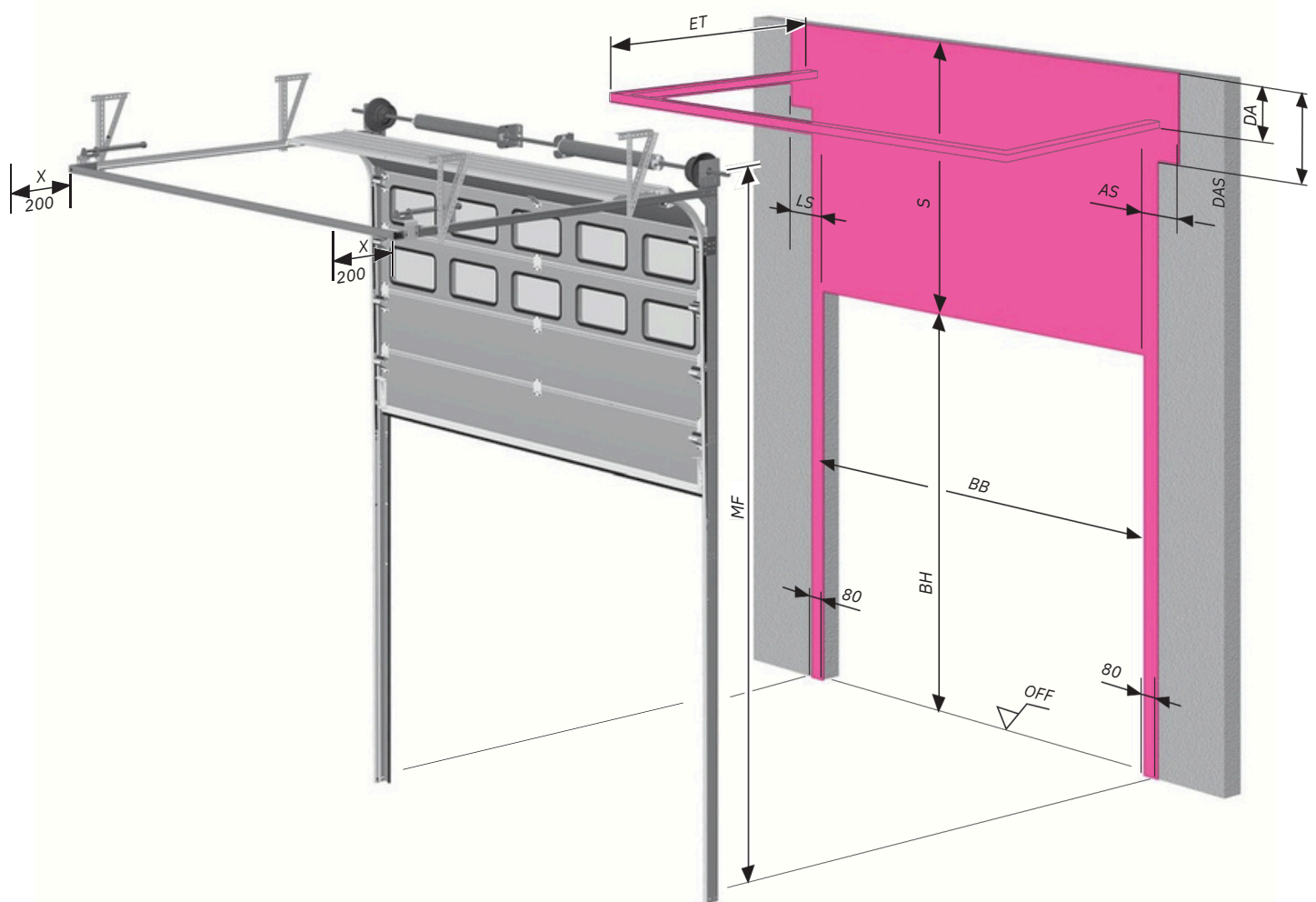
Espacio Requerido HIGH LIFT

Espacio lateral requerido	LS	AS
Motor lateral industrial	110	300

Todas las medidas en mm

Distancia mínima al Cielo	DA	MF
BH ≤ 4500 S ≤ 1825	310	BH + S - 105
BH ≤ 3600 S ≤ 3550	360	BH + S - 130
BH ≤ 6000 S ≤ 3600	410	BH + S - 165
BH ≤ 5500 S ≤ 4715 BH above 6000 on request	410	BH + S - 165

Profundidad de la instalación	ET
	BH - S + 1350 + X
	BH - S + 1400 + X



- | | | | |
|------|-------------------------|-----|--------------------------|
| AS: | Sideroom on drive side | ET: | Installation depth |
| BB: | Order dimensions width | LS: | Sideroom on bearing side |
| BH: | Order dimensions height | MF: | Middle of spring shaft |
| DA: | Ceiling distance | S: | Headroom |
| DAS: | Required headroom | X: | Spring buffer projection |

Espacio lateral requerido

LS | **AS**

Motor lateral industrial

110 | 300

Todas las medidas en mm

Dintel Requerido

BH \leq 5000.
 BH \geq 5001 \leq 5500 BH
 above 5500 on request

S

BH + 500
 BH + 550

MF

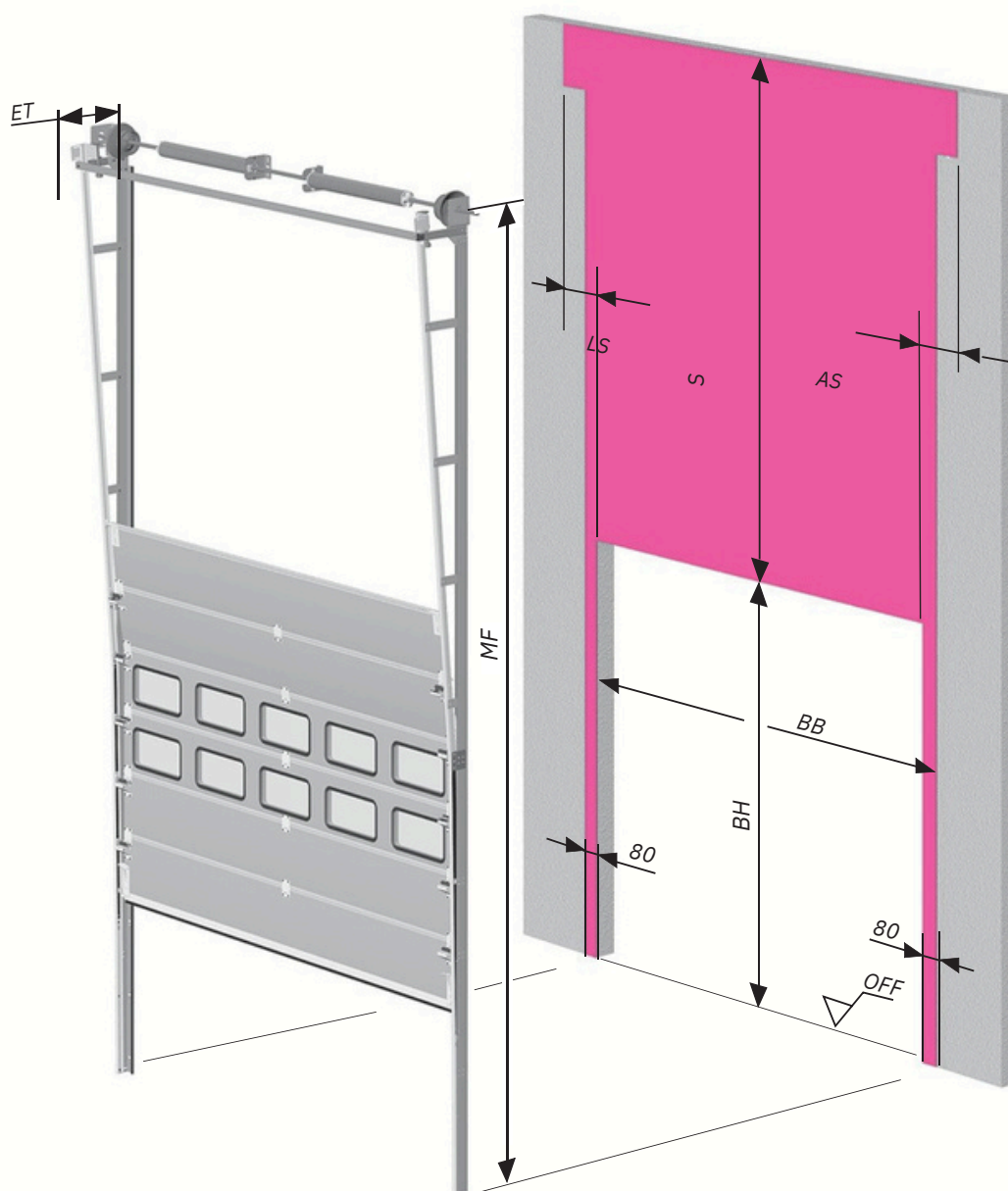
BH + S - 150
 BH + S - 190

Profundidad de la instalación

BH \leq 5000
 BH \geq 5001 \leq 5500

ET

450
 510



AS: Sideroom on drive side
 BB: Order dimensions width
 BH: Order dimensions height
 ET: Installation depth

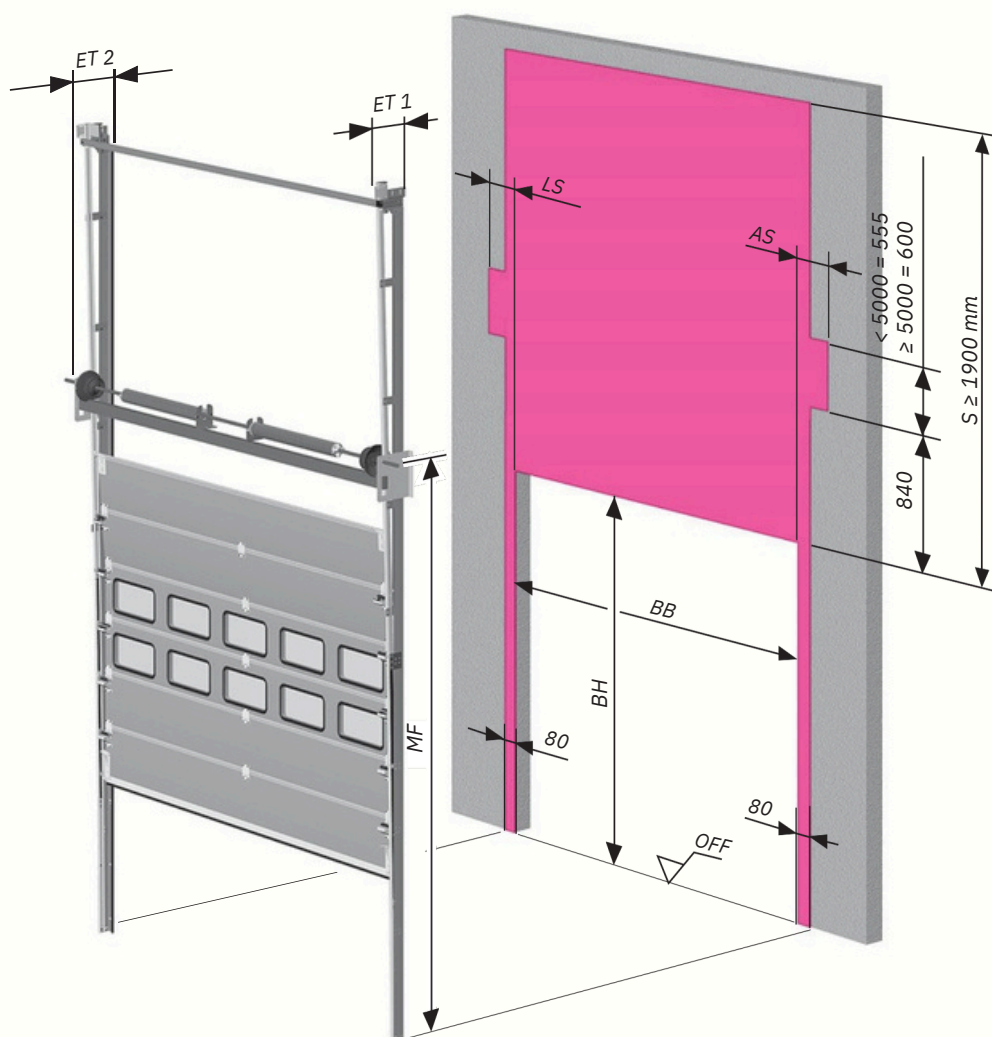
LS: Sideroom on bearing side
 MF: Middle of spring shaft
 S: Headroom

Espacio lateral requerido	LS	AS
Motor lateral industrial	110	300

Todas las medidas en mm

Dintel Requerido.	S	MF
≤ 5000 BH	BH + 500	BH + 1250
above 5000 on request		

Profundidad de la instalación	ET 1	ET 2
	330	535 / 575



AS: Sideroom on drive side
 BB: Order dimensions width
 BH: Order dimensions height
 ET: Installation depth

LS: Sideroom on bearing side
 MF: Middle of spring shaft
 S: Headroom